


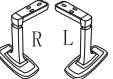




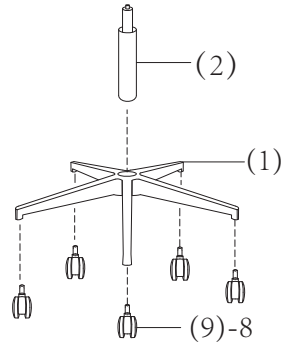


Assembling

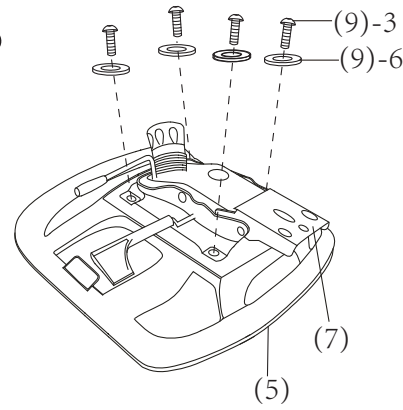
Instruction

(1) Base	(2) Gas Column	(3) Headrest
		
(4) Armrest	(5) Seat	(6) Back
		
(7) Mechanism	(8) Back support	
		

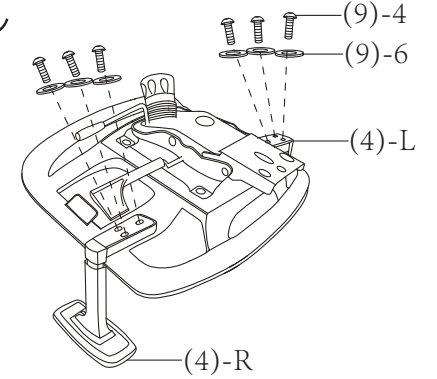
A













B



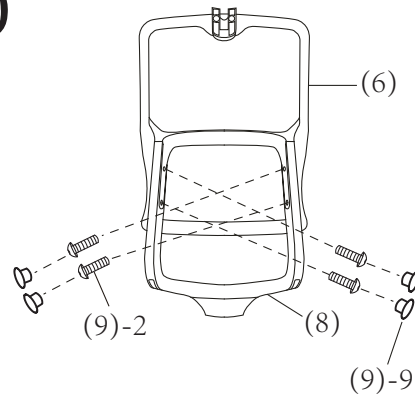
C



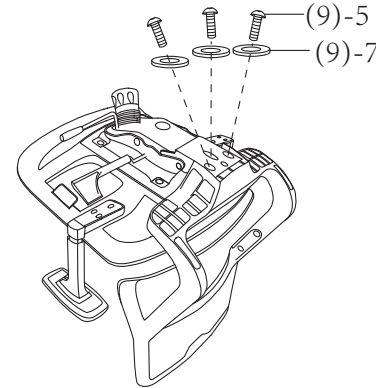
(9)

- | | | | |
|-----|---|-----|-----------|
| 1. |  | x1 | (4x25) mm |
| 2. |  | x4 | (6x16) mm |
| 3. |  | x4 | (6x20) mm |
| 4. |  | x6 | (6x25) mm |
| 5. |  | x3 | (8x25) mm |
| 6. |  | x10 | (6x16) mm |
| 7. |  | x3 | (8x20) mm |
| 8. |  | x5 | |
| 9. |  | x4 | |
| 10. |  | x1 | 5mm |

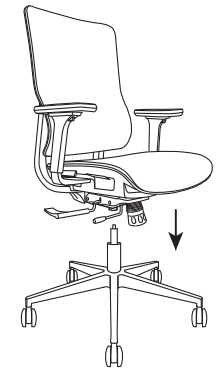
D



E



F



G

